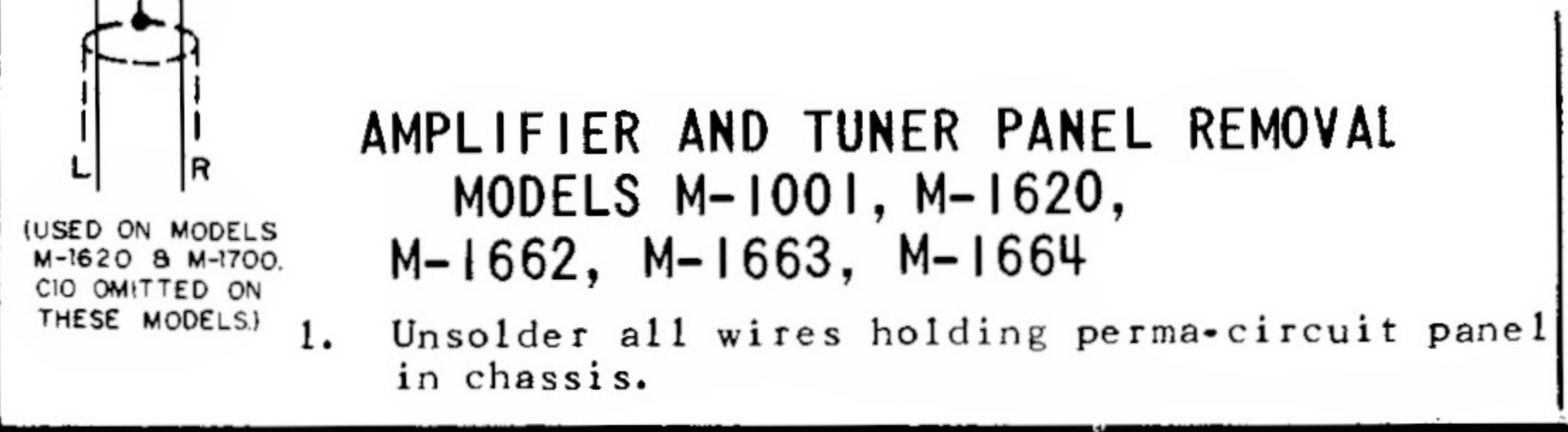
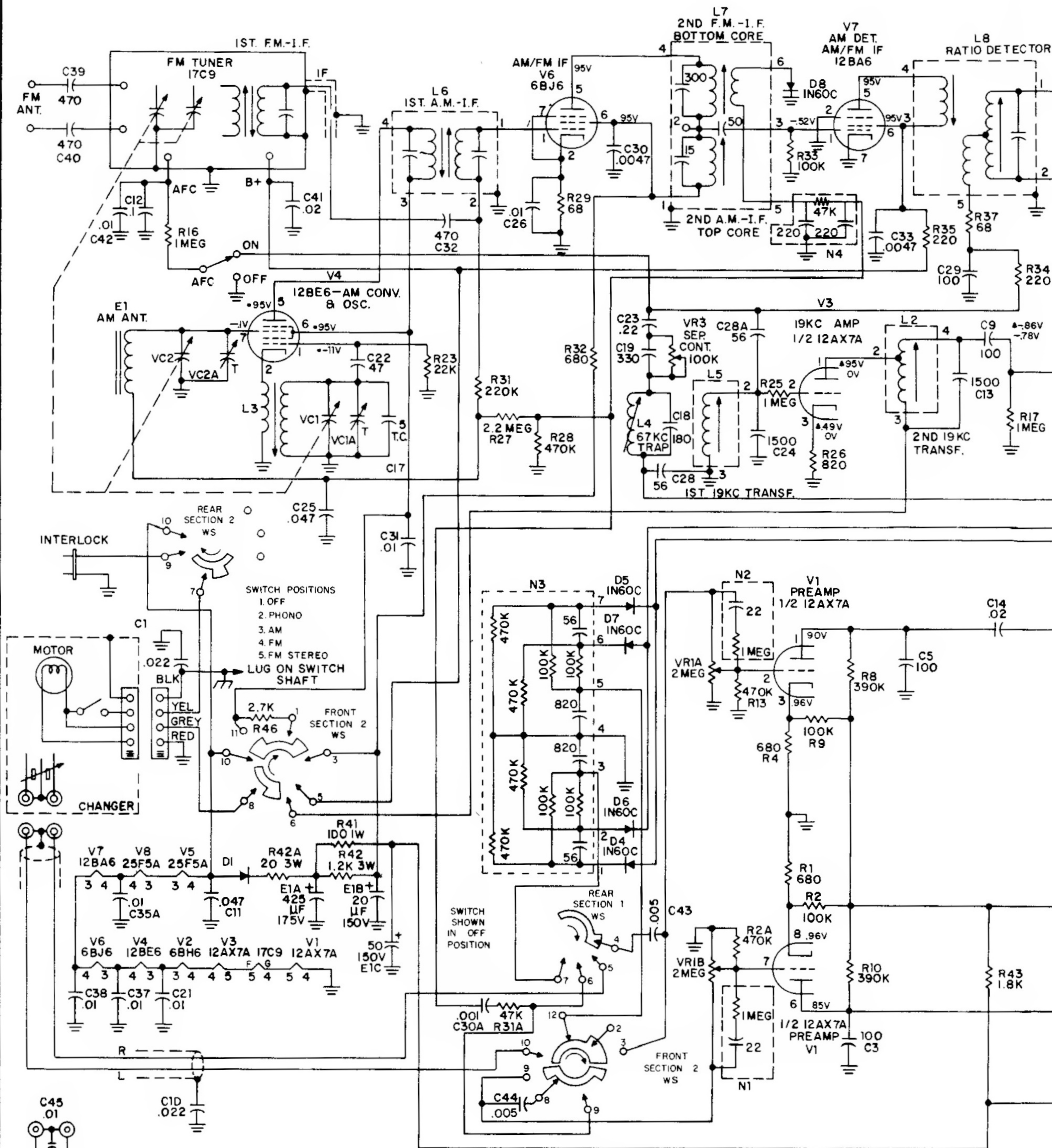


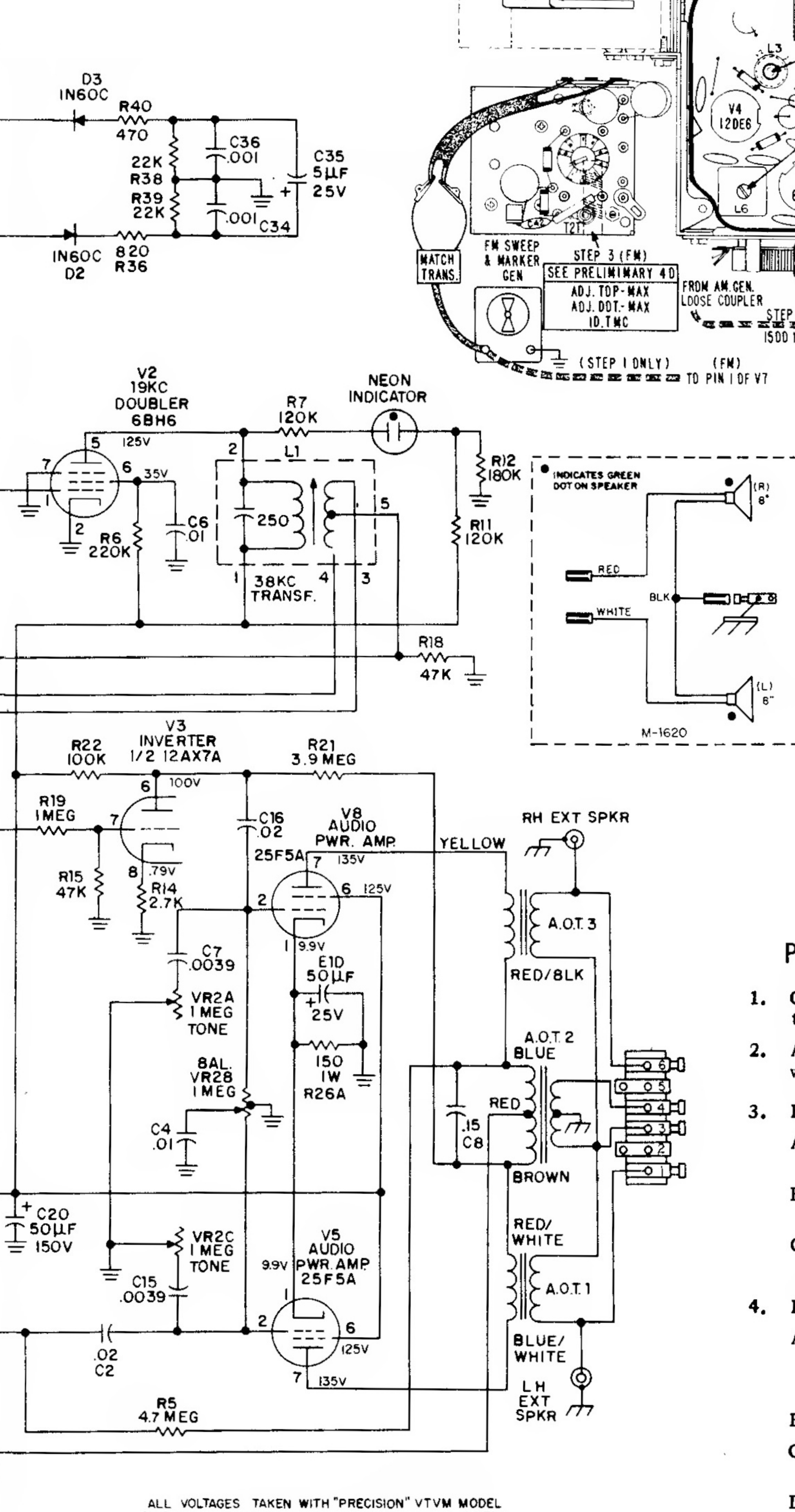
PHILCO

MODELS M-1001, M-1620, M-1662, M-1663, M-1664, & M-1700 AMPLIFIER & TUNER

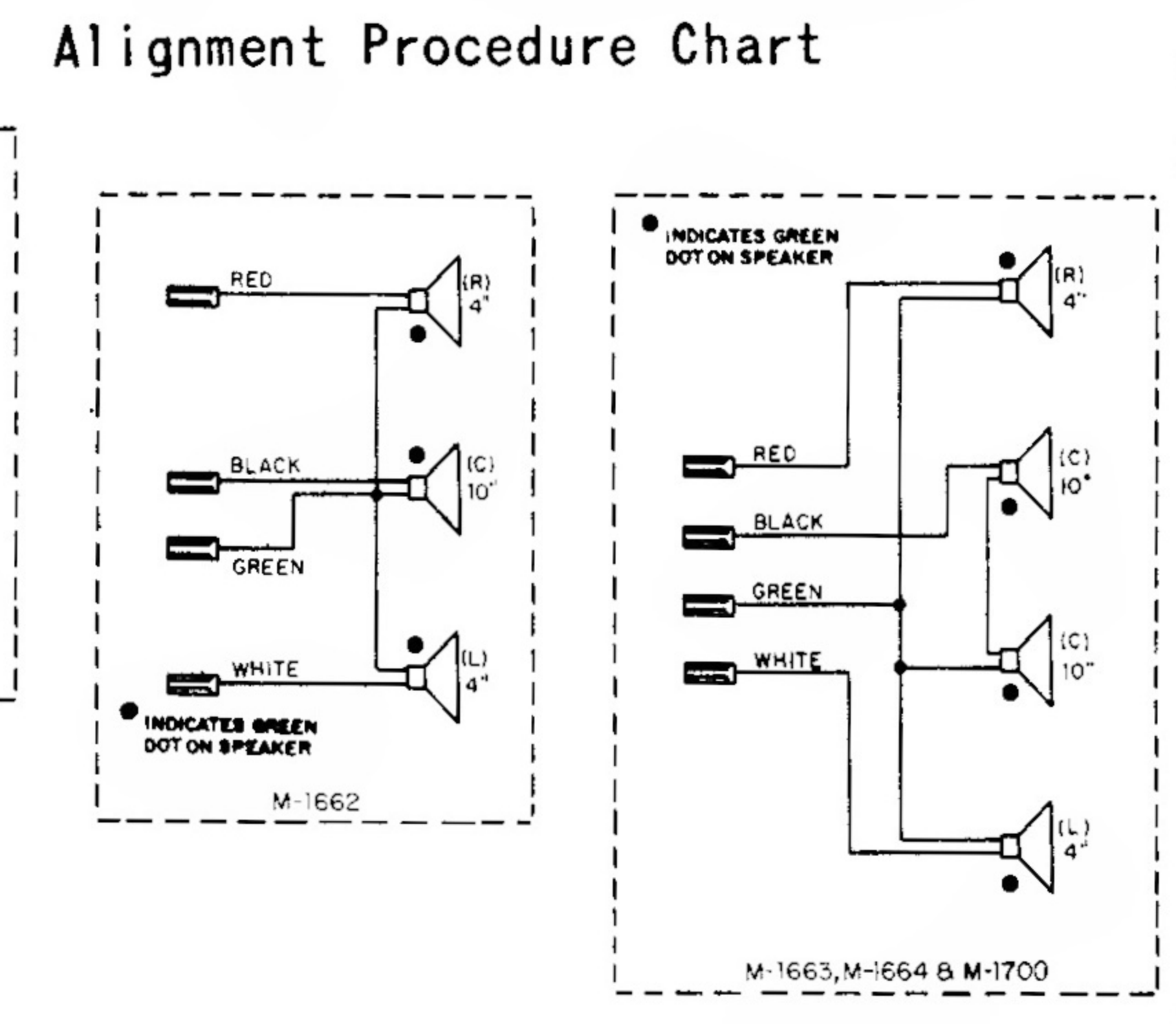
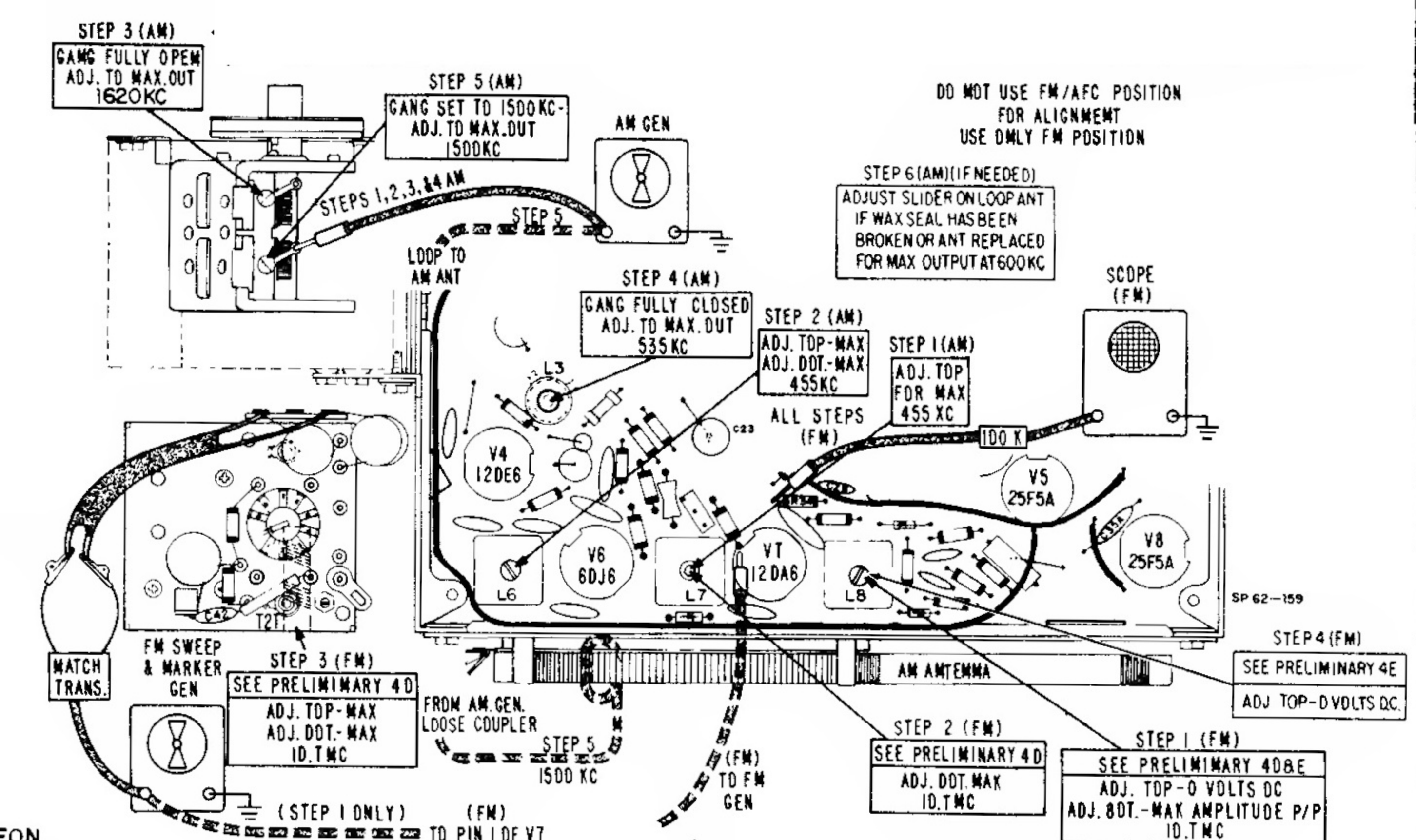
Also Model M-1701 is like M-1663



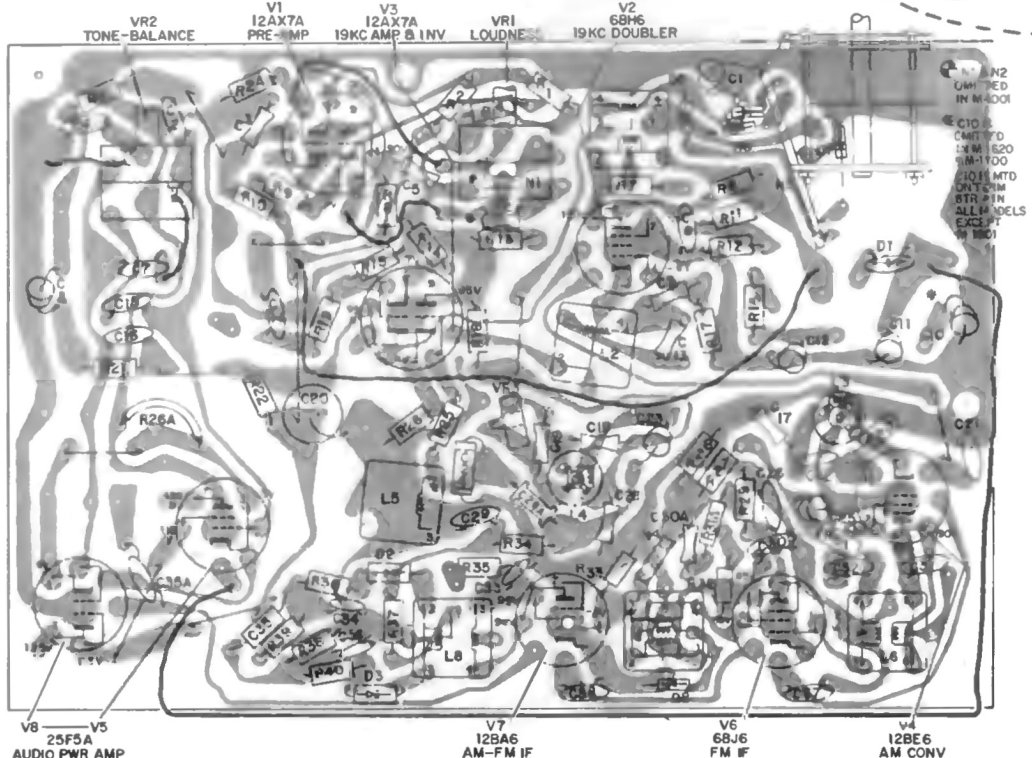
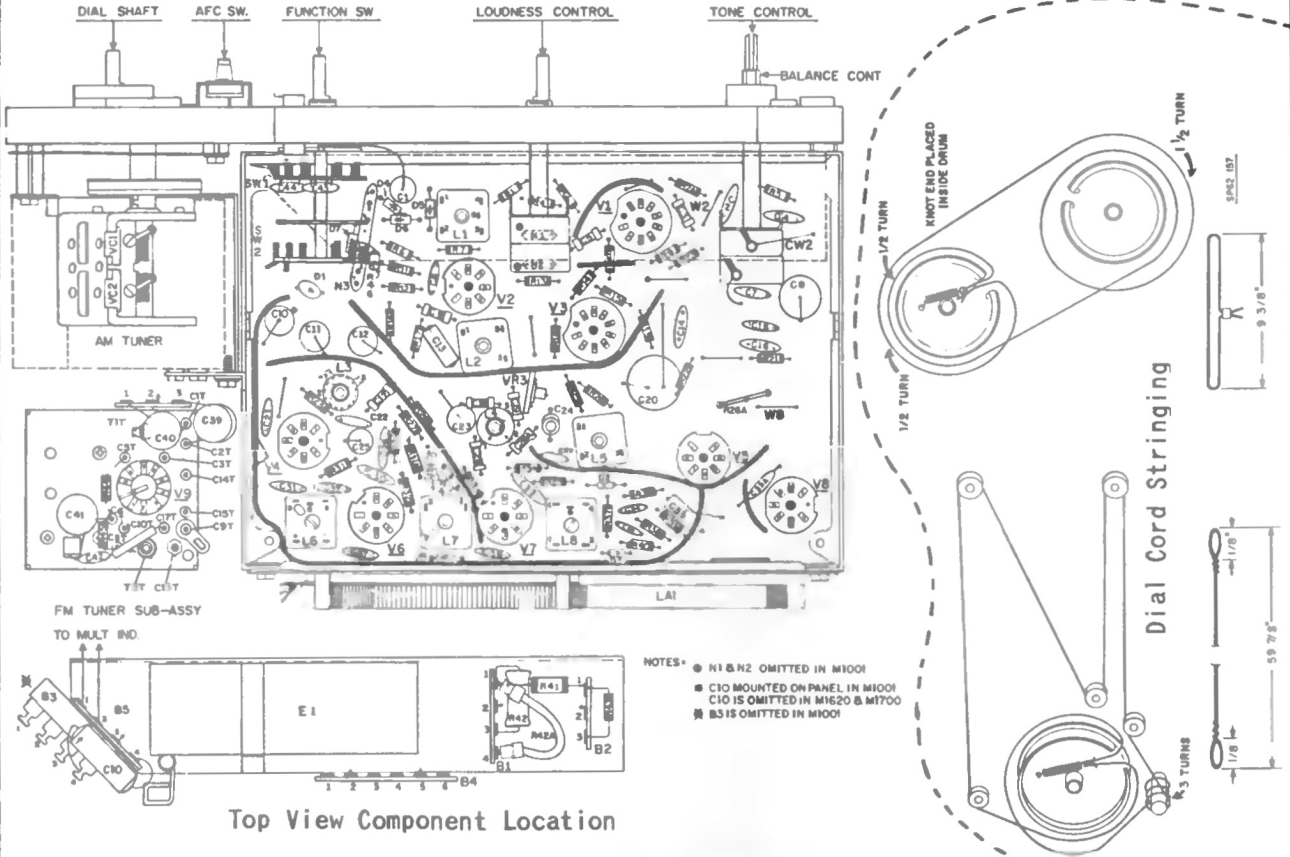
- Remove two nuts securing function switch and loudness control front dial panel.
- Remove three screws securing rear chassis piece and remove piece.
- Remove five screws securing panel to chassis.
- Pull panel back and away from chassis.



(Continued on page 120)



PHILCO Models M-1001, M-1620, M-1662, M-1663, M-1664, M-1700



Bottom Perma-Circuit View Parts Location